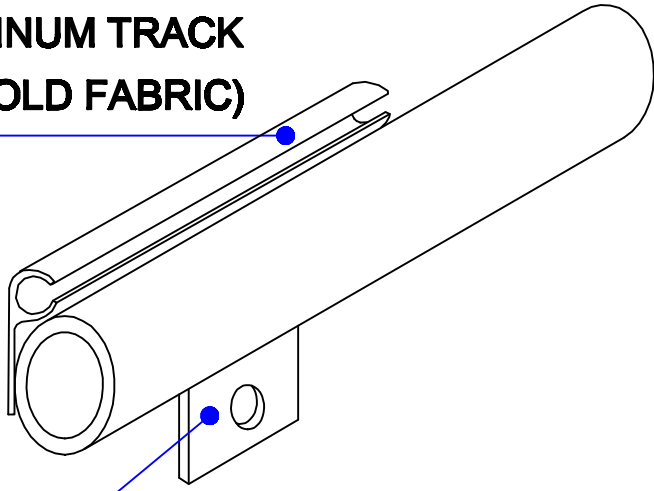


(AD-1r)
Anchoring Detail 1r

**ALUMINUM TRACK
(TO HOLD FABRIC)**



**PLATE WELDED TO PIPE
SPACING DETERMINED BY ENGINEER**