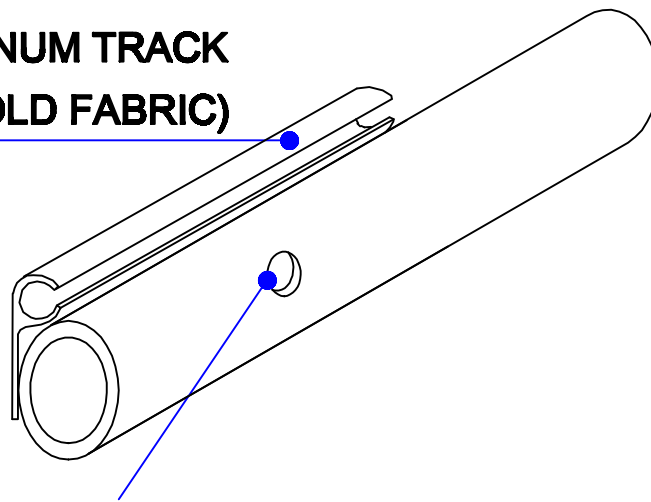


(AD-3r)
Anchoring Detail 3r

**ALUMINUM TRACK
(TO HOLD FABRIC)**



**HOLE DRILLED THROUGH PIPE
SPACING DETERMINED BY ENGINEER**