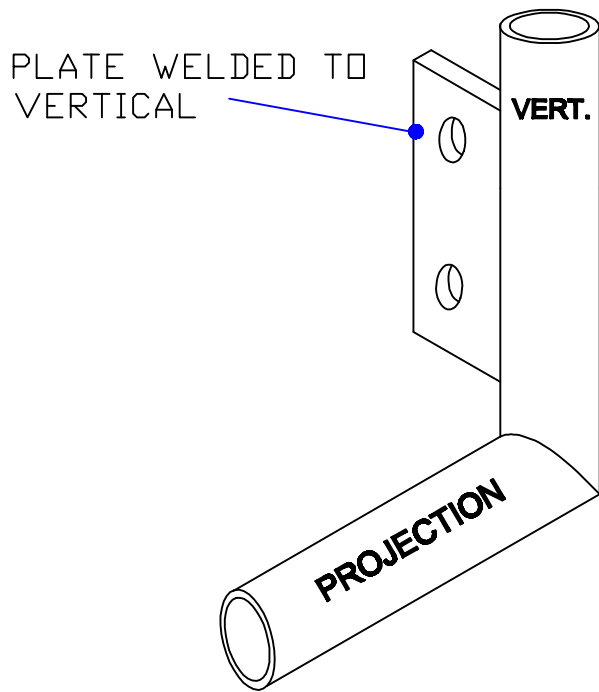


(VD-3r)
VERTICAL DETAIL 3r



(VD-3r)
VERTICAL DETAIL 3r

