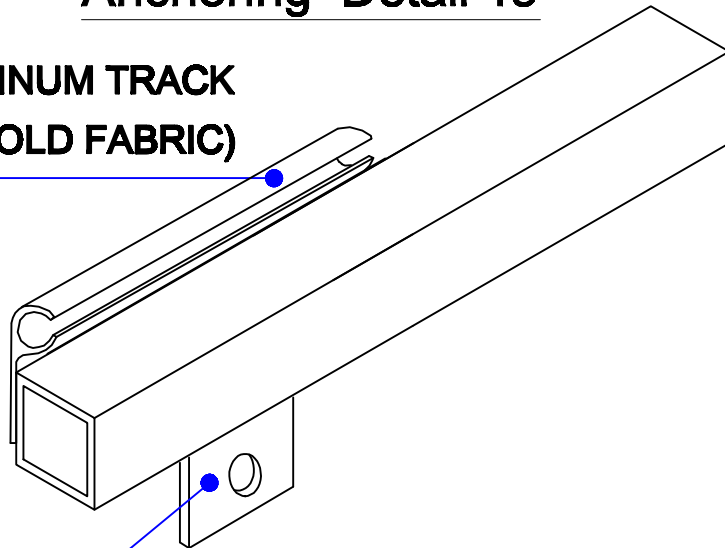


**(AD-1s)**  
**Anchoring Detail 1s**

**ALUMINUM TRACK  
(TO HOLD FABRIC)**



**PLATE WELDED TO PIPE  
SPACING DETERMINED BY ENGINEER**