

(AD-2s)
Anchoring Detail 2s

ALUMINUM TRACK
(TO HOLD FABRIC)

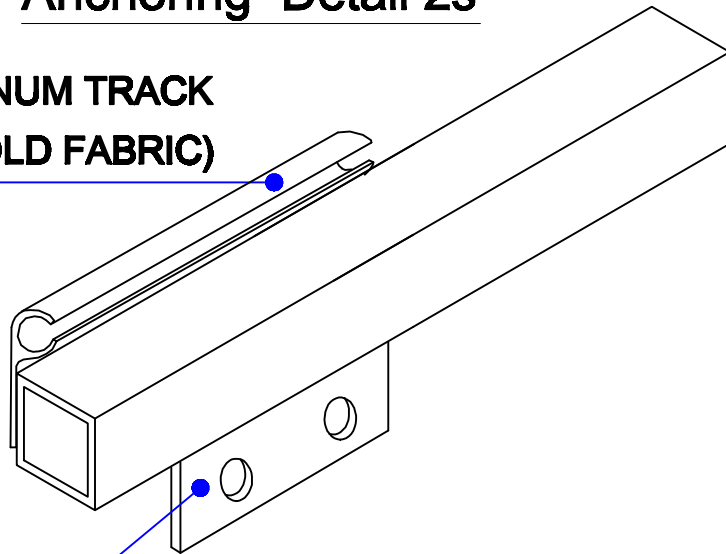


PLATE WELDED TO PIPE
SPACING DETERMINED BY ENGINEER